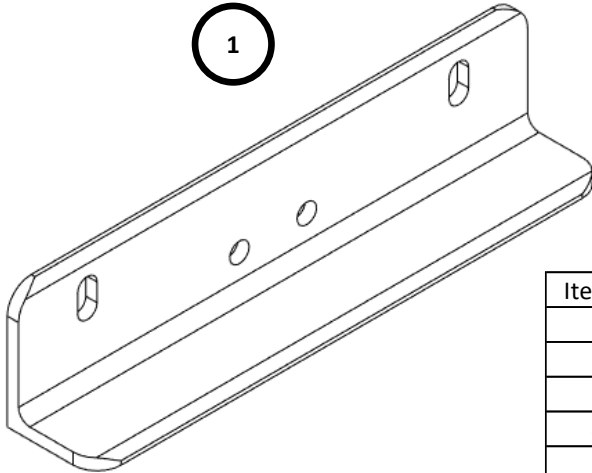




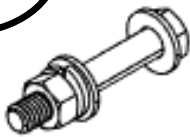
WILDER SIDE

Wilderside.life
(833) 949-4222

Part Number **WS-9Q2135**
Description **Hobie PA Angle Mount Kit**



2,3,
4,5

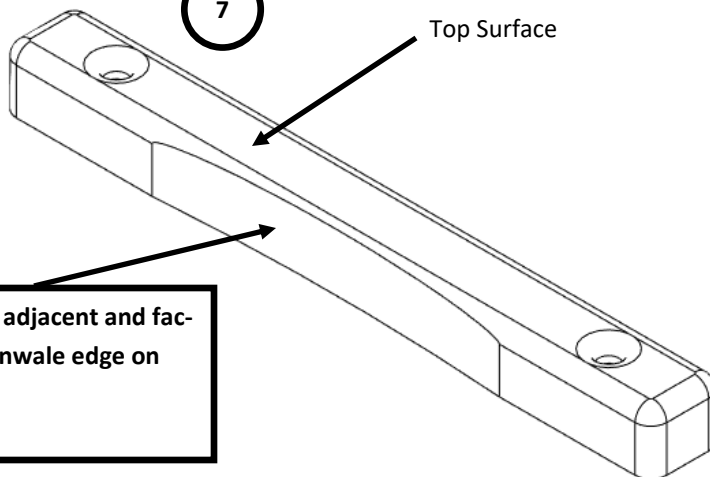


Item #	Part Number	Qty	Part Description
1	WS-7T8137	2	Angle Bracket for Hobie PA mount
2	WS-2T2354	4	Hex Head Cap Screw 5/16" by 2" L Gr 8 Aluma-coat
3	WS-9H4772	8	Washer 5/16" SAE Grade 8 Aluma-coat
4	WS-2Q7935	4	Lock washer 5/16" Grade 8 Aluma-coat
5	WS-9T9595	4	Nut 5/16" Grade 8 Aluma-coat
6	WS-1Q7798	8	Half Moon Washer 0.75" 0.375 tall
7	WS-1Q5442	2	Blind Bracket - PA Style
8	WS-9Q9256	4	Hex Head Cap Screw 1/4" by 2" L Stainless
9	WS-1N6997	4	Washer 1/4" Stainless SAE

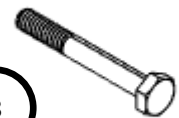
6



7



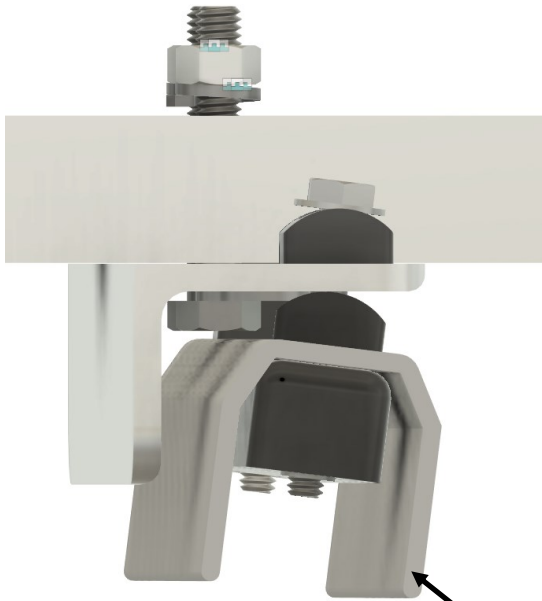
8



9



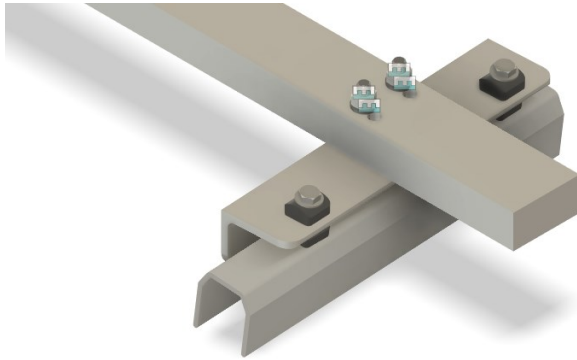
Curve should be adjacent and facing the inner gunwale edge on both sides.



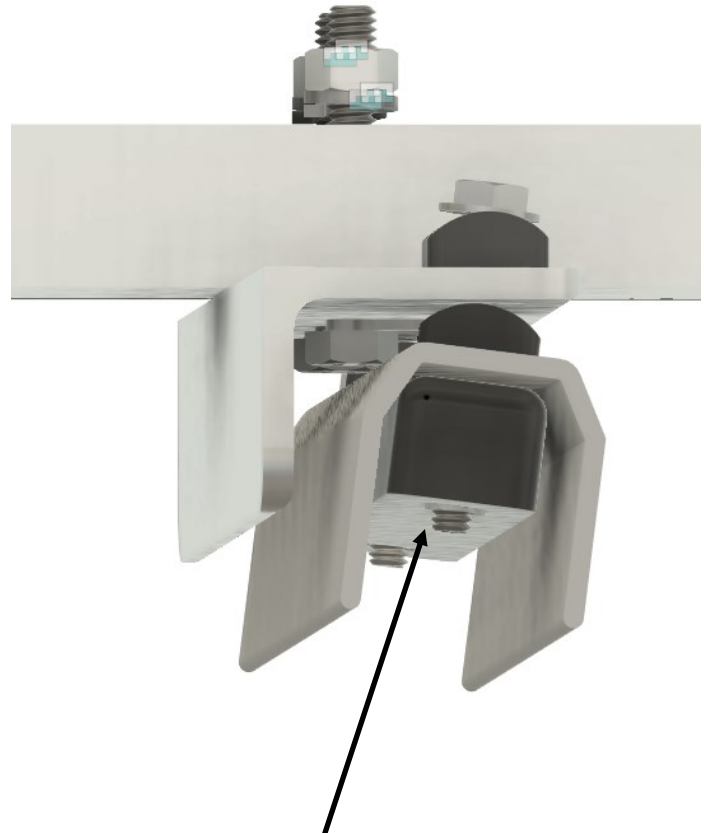
The PA mount has been specially designed to allow a Freedom Launcher to be installed between the H-rail and the outer gunwale on Hobie PA 12 and 14. It was designed in collaboration with our first Hobie PA customer and has provided outstanding performance with a fisherman who regularly fishes 3-4 times a week and portages between bodies of water over rough terrain.

The blind bracket has a wide face to distribute the load over a wide area. The entire system is maintenance free and is intended to provide years of trouble free operation.

Cut away section of Hobie Gunwale channel added for context



Note: Depending on the vintage of Hobie PA, the user is free to have the vertical flange of the WS-7T8137 Angle bracket be either inboard or outboard of the gunwale. The suggested application is placing the vertical leg inboard, but your design or other installed components may dictate the alternate location. Feel free to use either.



Brass inserts clearly visible on bottom side. BE CERTAIN ORIENTATION IS CORRECT OR THE INSERTS COULD FAIL AND PULL OUT IF INSTALLED UPSIDE DOWN.

ALSO BE SURE THE CURVED EDGE IS AGAINST THE INNER EDGE OF GUNWALE.

The best material describing installation tips for the Hobie PA 12 / 14 is found on Youtube under Hobie PA Installation video playlists. Please find these videos and the playlist at: [youtube.com/@wildersidegear/playlists](https://www.youtube.com/@wildersidegear/playlists)

Steps to installing the PA attachment system to your Hobie PA:

1. Loosen the front and back bolts securing the H-rail to the kayak. This will allow the H-rail to be rotated around the center support.
2. Use tape to mark where both edges of the crossbar vertical planes will intersect the outer gunwale.
3. Use the Angle Bracket as a template to mark and drill the mounting holes in the gunwale. The bolts are 1/4" so the hole diameter could be either 1/4", 5/16", or 9/32". The holes should be centered side to side to allow room between the blind bracket and the sides of the Hobie gunwale channel. See figures on pgs 2-3.
4. Using a piece of wire or string, fish each gunwale bracket back to the mounting location. NOTE: ensure that the curved edge of the blind bracket is inboard during install. This allows the bracket to fit into the curvature of the gunwale. The exposed flange of the brass insert should be facing down.
5. Secure the blind bracket with a bolt on the free end. Then assemble the parts as shown on pgs 2-3, first with one end and then the other. At this point, just have the joint finger tight. Complete all steps on both sides.
6. Use tape or a marker to identify where the crossmember should be fore and aft so as to be centered above the center mounting holes on each angle bracket.
7. Lay the crossbar on top of the angle bracket. Wiggle the angle bracket until they both sit flush against the crossbar. Now use a handheld nut driver to snug the 1/4" bolts and secure the angle bracket positions.
8. Use temporary clamps or the like to secure the crossbar during the next steps.
9. See Youtube videos for next procedure. Draw lines through the centers of the two center vertical holes in the angle bracket. These will be used to identify hole centers in crossbar in subsequent steps.
10. Install a Freedom Bracket on the finished end of the crossbar. Installed the leg assembly into the crossbar. Now rotate the leg through 90 degrees of motion. Notice the distance away from the gunwale. The leg should be a minimum of 1.25" away the outer hull when the leg is in the vertical position. This will allow the leg to flex under extreme loading (like on a side slope) without impinging on the hull. Generally, there should be a minimum of 3" of crossbar projection beyond the widest part of the hull at the mounting location. Noting the distance from the outer edge of the angle bracket to the outer edge of the crossbar tube (not the endcap insert), mark the same distance on the opposite end of the crossbar that is not finished. You have now determined the width of the crossbar appropriate for your PA.
11. Before removing the crossbar, also transfer the hole center reference lines from the angle bracket to the crossbar on each end. Use these reference lines to mark hole centers for the 5/16" mounting holes that secure the crossbar to the Angle bracket.
12. Use methods indicated in Youtube videos to cut the crossbar to match the finished side, and use the included tooling and a 5/16" drillbit to drill the mounting holes in the unfinished side of crossbar. Debur and install the other endcap and the crossbar is ready for permanent installation. Also use 5/16" drillbit to measure the mounting holes noted in step 11.
13. With the crossbar complete, you are now ready to complete the final mounting procedures.
14. Loosen one end of the 1/4" hardware on the angle bracket. Swing out and install the 5/16" bolt and washer up from the bottom.

The best material describing installation tips for the Hobie PA 12 / 14 is found on Youtube under Hobie PA Installation video playlists. Please find these videos and the playlist at: [youtube.com/@wildersidegear/playlists](https://www.youtube.com/@wildersidegear/playlists)

Steps to installing the PA attachment system to your Hobie PA (cont'd):

15. Slide crossbar into position and over the 5/16 bolts. Secure with washer, locknut, and nut.
16. Repeat on both sides. Tighten joint with small hand tools until snug. Tube is hollow so do not overtighten. Watch tube and stop tightening if you see visible tube deflection.
17. At this point the crossbar should be rigidly secured to each angle bracket with the 5/16 hardware. Now it would be a good time to remove the 1/4" bolt one at a time and put Blue Loctite on each bolt. Use a hand held nutdriver to tighten the 1/4" bolts only until snug. Do not "torque" the joint. This will give room for the joint to flex under load and reduce the chance for point loading the hull.
18. Finish the assembly of the Freedom Bracket and Legs following procedures outlined in the main assembly manual.

