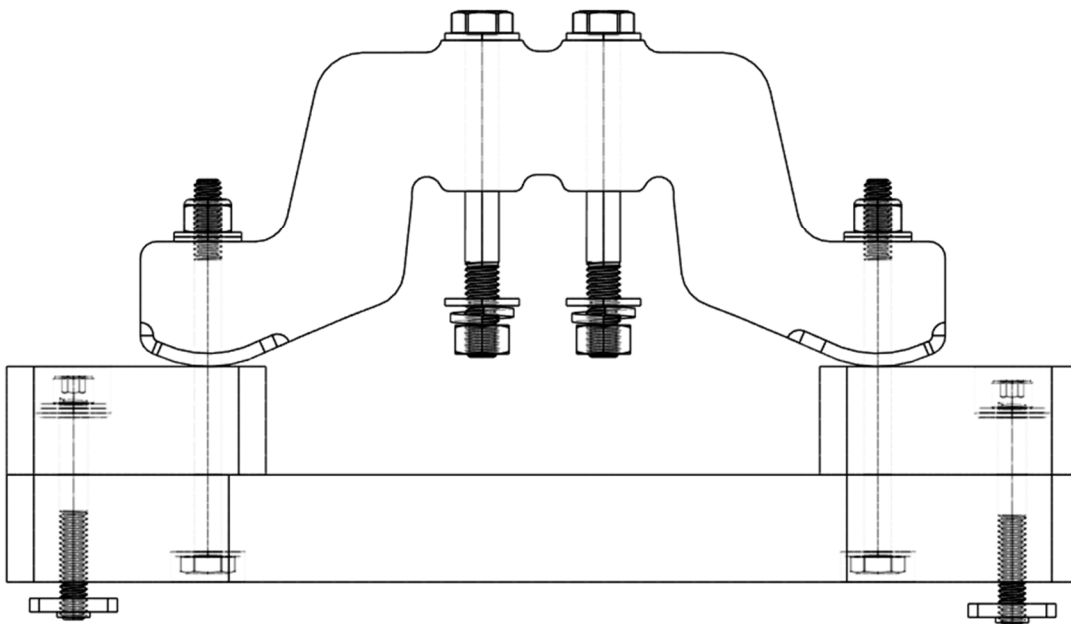




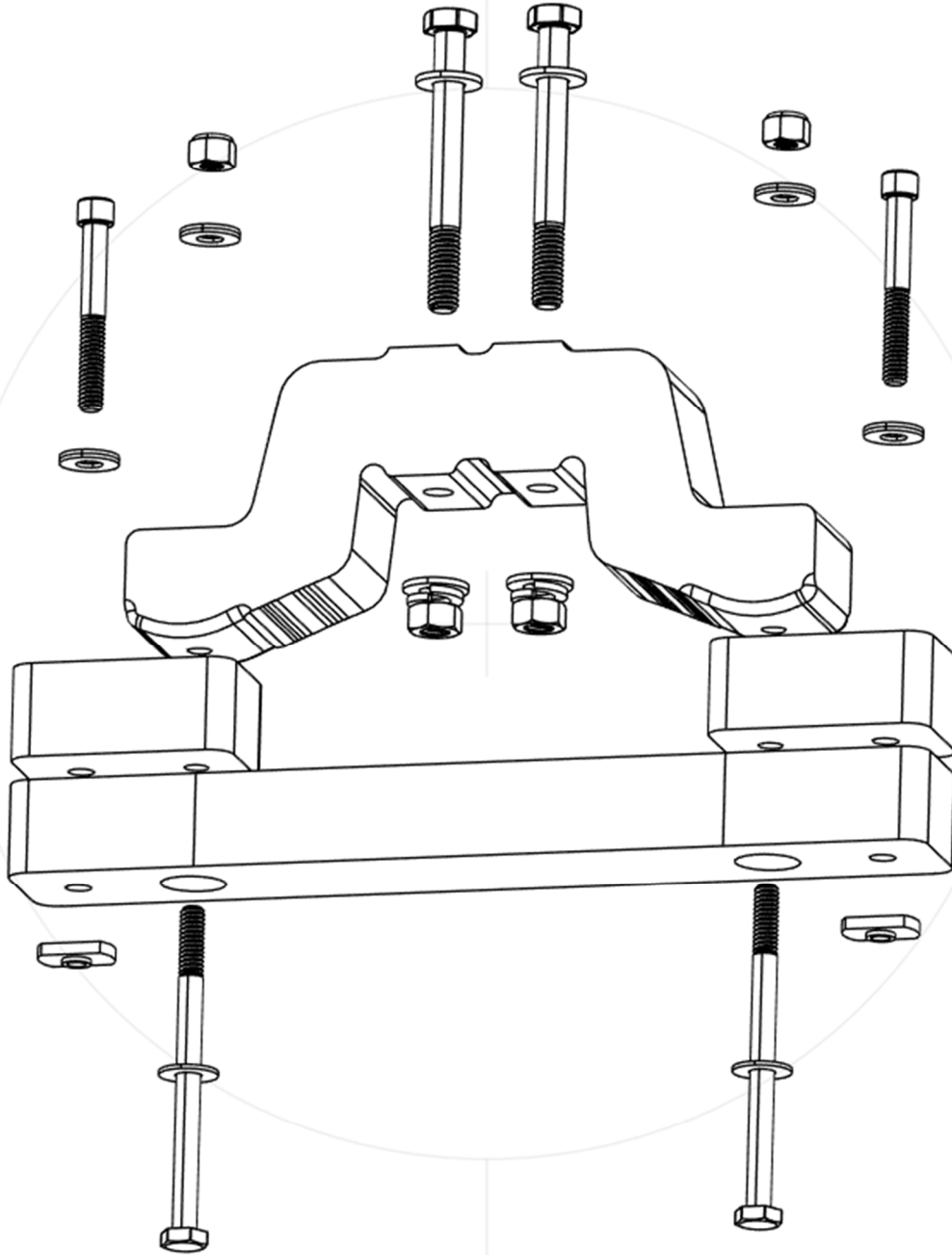
**Freedom Launcher®
Assembly Support**

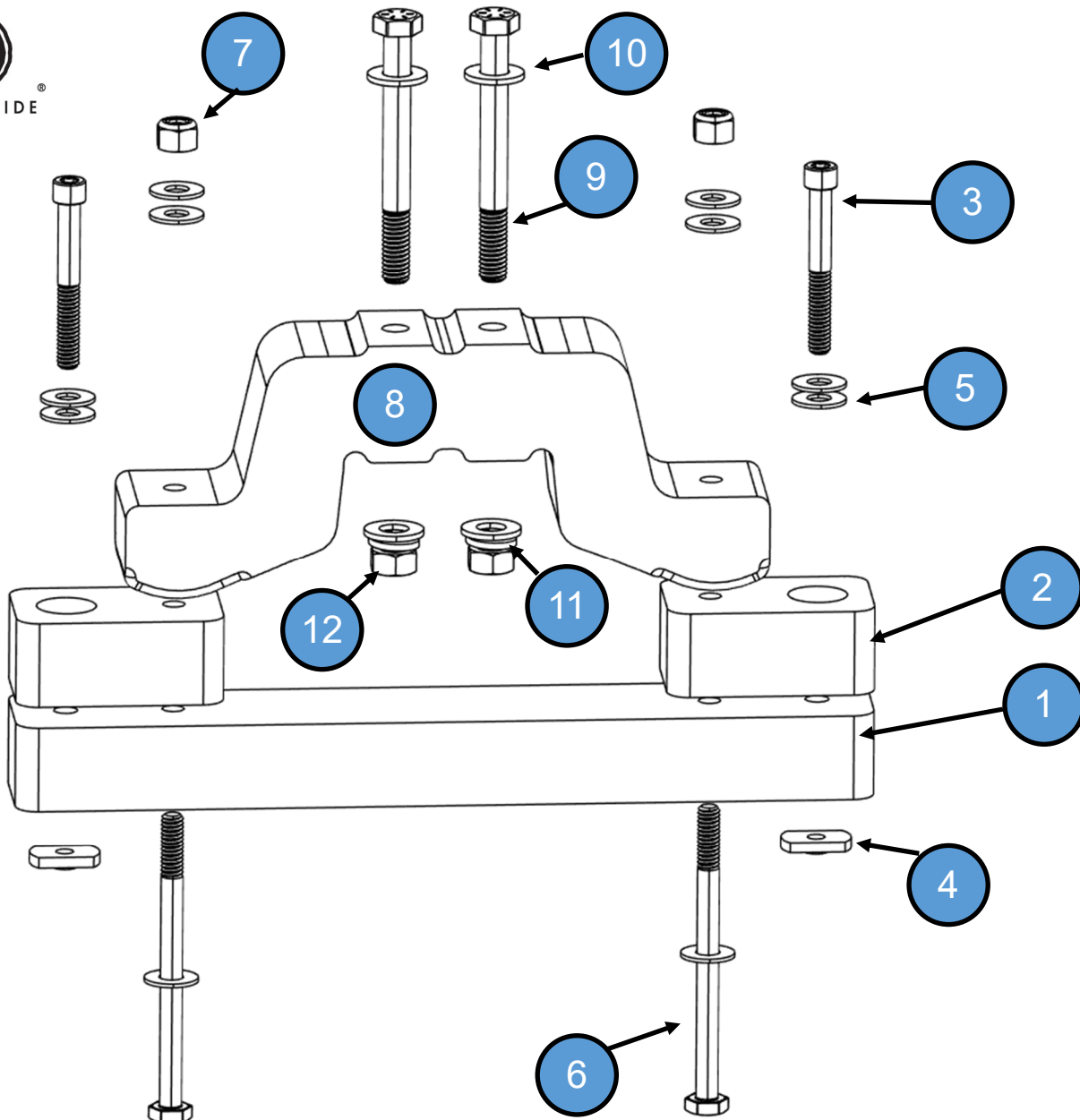
Part WS-1H1644
MG17: Rail Mount with 2" Lift
(Unlimited / U10 Mount)
Parts List and Assembly Diagrams





WILDER SIDE[®]





Item #	Part Number	Qty	Part Description
1	WS-5P2939	2	Track Mount Base Plate 9.9 x 1.5 x 1.0H
2	WS-7P8846	4	Track Mount Offset Plate T-bolt pocket
3	WS-2T3978	4	Socket head 1/4-20 x 2.0L Stainless screw
4	WS-9P7527	4	Track nut stainless
5	WS-1N6997	20	Washer 1/4" Stainless SAE
6	WS-9P3897	4	Hex Head Cap Screw 1/4" by 3.5"L Stainless
7	WS-1N6682	4	Locknut 1/4" Stainless
8	WS-2T7173	2	Gorilla MAX Kayak Bracket
9	WS-2H5669	4	Hex Head Cap Screw 5/16" by 3"L Gr 8 Aluma-coat
10	WS-9H4772	8	Washer 5/16" SAE Grade 8 Aluma-coat
11	WS-2Q7935	4	Lock washer 5/16" Grade 8 Aluma-coat
12	WS-9T9595	4	Nut 5/16" Grade 8 Aluma-coat